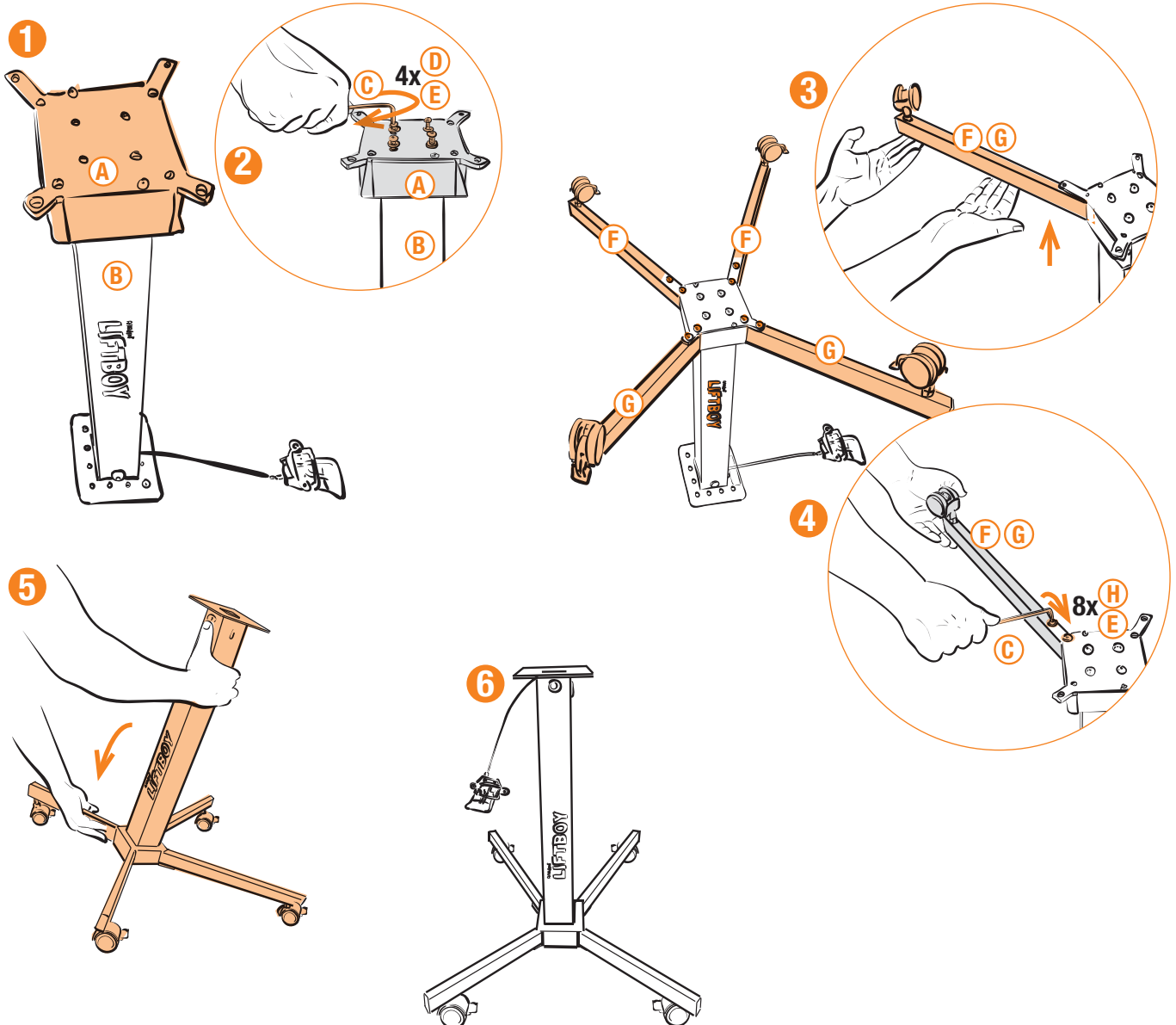
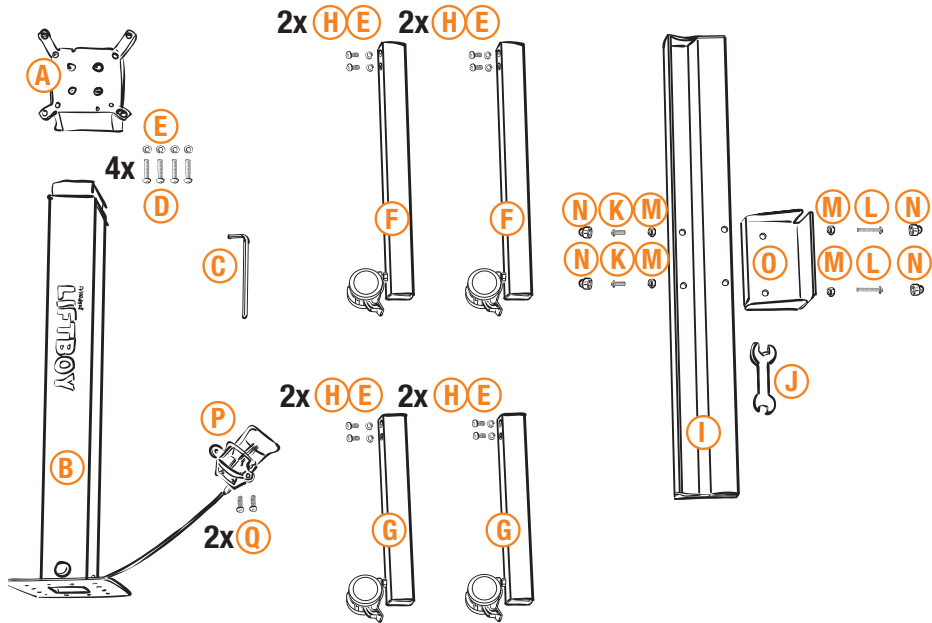
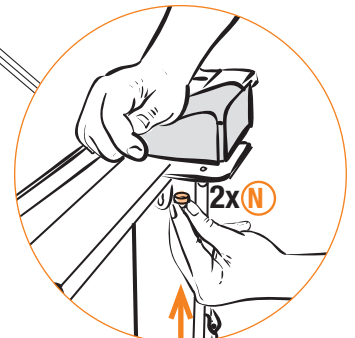
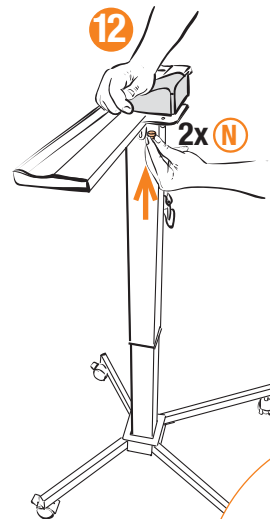
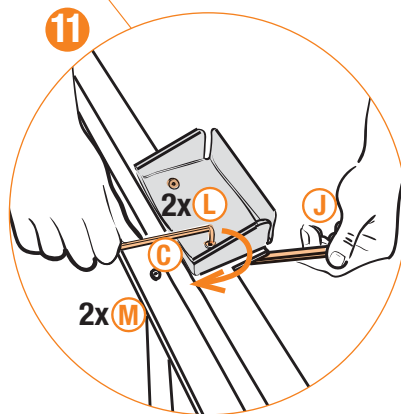
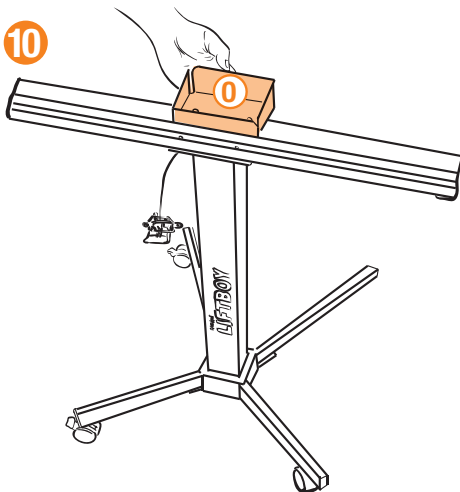
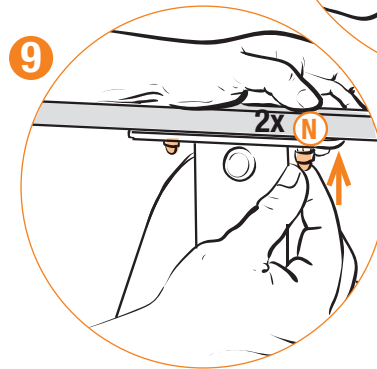
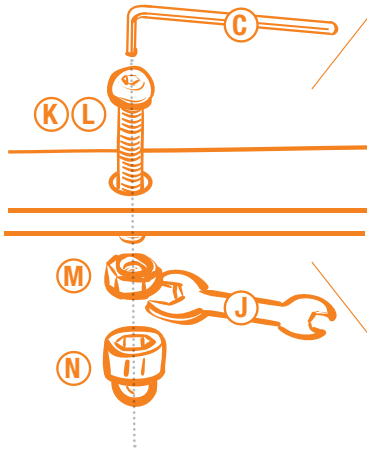
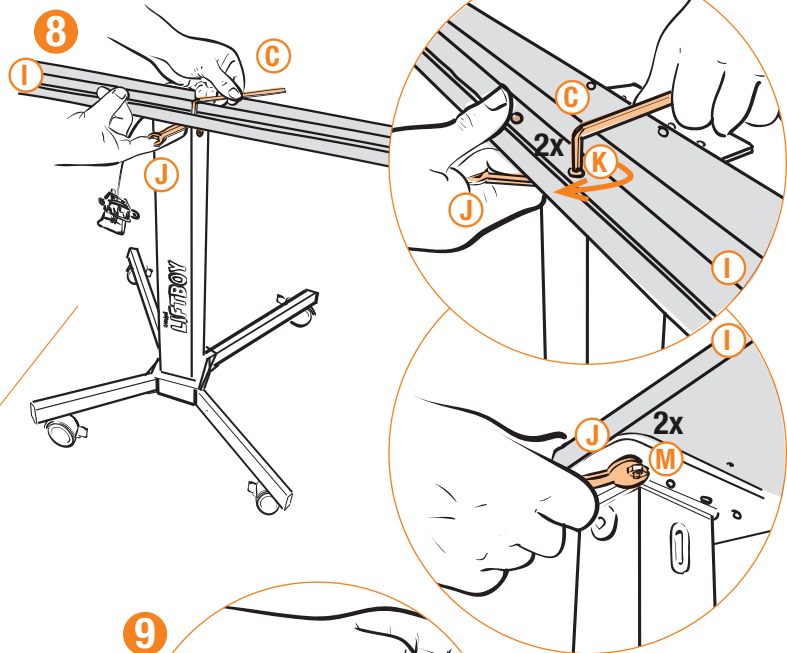
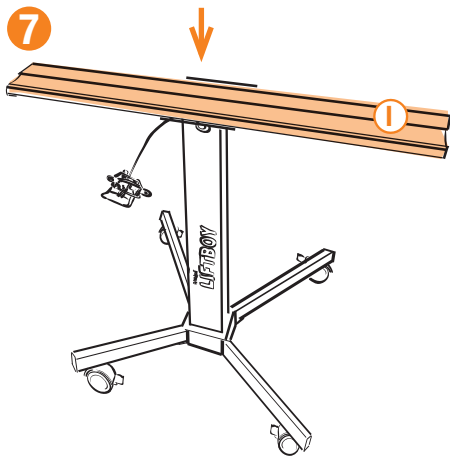


# LiftBoy für/for GraphicWally® 1/3



# LiftBoy für/for GraphicWally® 2/3



# LiftBoy für/for GraphicWally® 3/3

